

# know your Kenwood kitchen machine

## safety

- Switch off and unplug before fitting or removing tools/attachments, after use and before cleaning.
- This machine is not intended for use by young children or infirm persons without supervision.
- Keep your fingers away from moving parts and fitted attachments.
- Never leave the machine on unattended.
- Never use a damaged machine. Get it checked or repaired: see 'service', page 6.
- Never use an unauthorised attachment or more than one attachment at once.
- Never exceed the maximum capacities on page 2.
- Don't let children play with this machine.
- When using an attachment, read the safety instructions that come with it.
- Only use this machine for domestic food preparation.

## before plugging in

- important - UK only
- Make sure your electricity supply is the same as the one shown on the underside of your machine.
  - The wires in the cord are coloured as follows:  
Blue = Neutral, Brown = Live.
  - This machine complies with European Economic Community Directive 89/336/EEC.

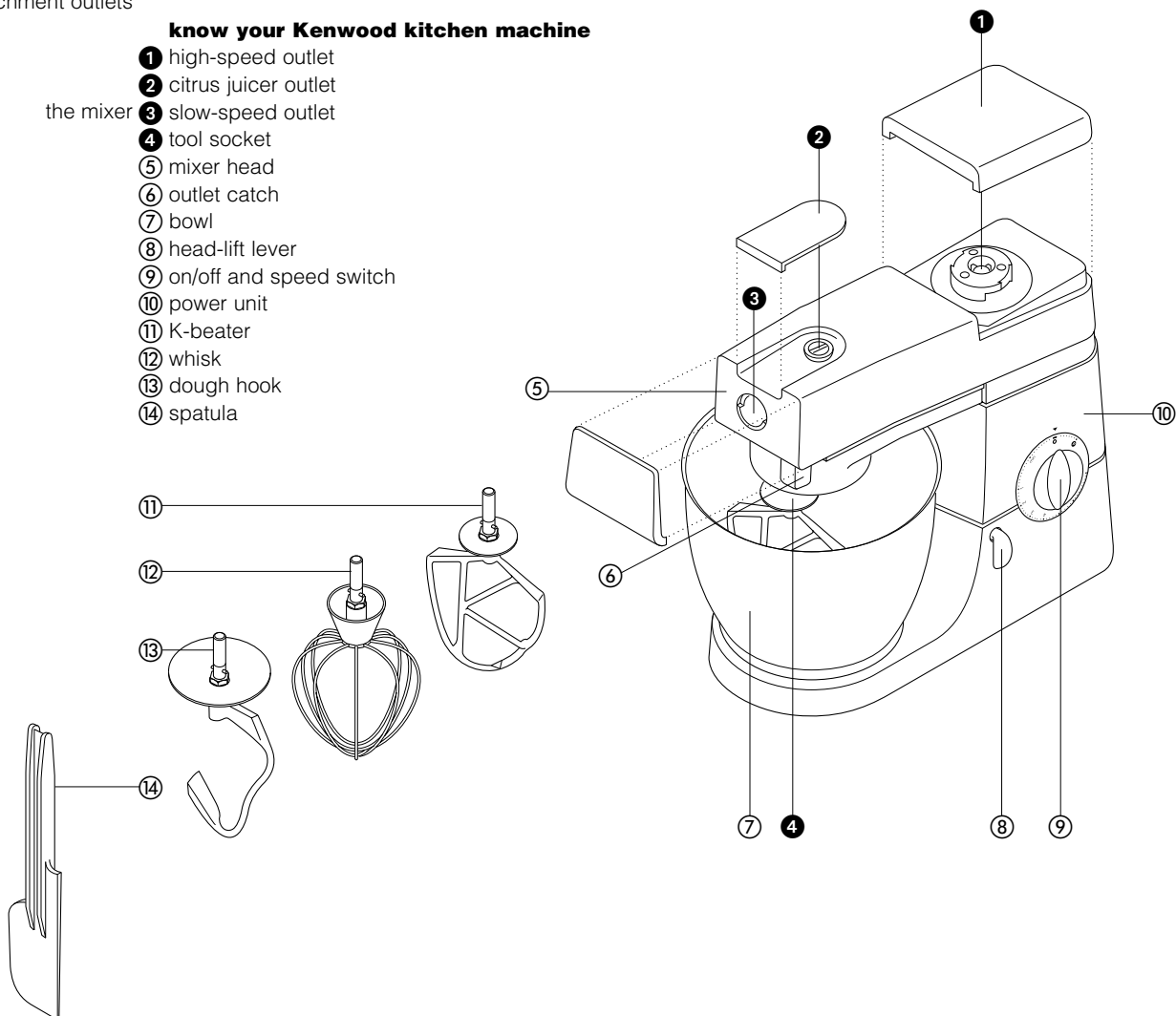
## before using for the first time

- 1 Remove all packaging.
- 2 Wash the parts: see 'care and cleaning', page 6.

attachment outlets

## know your Kenwood kitchen machine

- ① high-speed outlet
- ② citrus juicer outlet
- ③ slow-speed outlet
- ④ tool socket
- ⑤ mixer head
- ⑥ outlet catch
- ⑦ bowl
- ⑧ head-lift lever
- ⑨ on/off and speed switch
- ⑩ power unit
- ⑪ K-beater
- ⑫ whisk
- ⑬ dough hook
- ⑭ spatula



## the **attachments** available

To buy an attachment not included in your pack, call your KENWOOD repairer.

attachment      attachment code

- flat pasta maker** ① **A970**
- additional pasta attachments (not shown) used in conjunction with A970
  - A971** tagliatelle
  - A972** taglionini
  - A973** trenette
  - A974** spaghetti
- pasta maker** ② **A936** comes with 6 screens
- slow speed slicer/shredder** ③ **A948** comes with 4 drums
- super mincer** ④ **A950** comes with
  - a large sausage nozzle
  - b small sausage nozzle
  - c kebbe maker
- grain mill** ⑤ **A941**
- citrus press** ⑥ **A995**
- liquidiser** ⑦ 1.2 l acrylic **A993A**, 1.2 l glass **A994A**, 1.5 l stainless steel **A996A**
- multi-mill** ⑧ **A938A** comes with 3 glass jars and 3 lids for storage
- high speed slicer/shredder** ⑨ **A998** comes with 3 cutting plates
  - optional plates a extra coarse shredder **part number 639021**
  - b rasping plate **part number 639150**
  - c standard chipper **part number 639083**
- continuous juice extractor** ⑩ **A935**
- ice-cream maker** ⑪ CHEF **A953**, MAJOR **A954**
- potato peeler** ⑫ CHEF **A934**, MAJOR **A952**
- colander and sieve** ⑬ CHEF **A992**, MAJOR **A930**
- kenlyte round bowl** ⑭ CHEF **265026**, MAJOR **412095**
  - round splashguard a CHEF & MAJOR **444347**
- kenlyte D-shaped bowl** ⑮ CHEF **489969**
  - D-shaped splashguard a CHEF **604349**
- stainless steel bowls** ⑯ polished: CHEF **638821**, MAJOR **642779**
- cover** ⑰ CHEF **533722**, MAJOR **606397**

